

The ADSL microfilter alarm allows the transmission of the alarm signals, (low pass band filter) and avoids the transmission of the ADSL signal to the alarm equipment connected to the output, allowing its correct performance.

The maximum number of microfilters that can be installed in the same line is 3, if higher an HR splitter must be used.

MFAA001- To be used in conventional lines (POTS) and without billing tone.

Countries: Argentina, Brazil, Colombia, Costa Rica, Chile, Egypt, Spain, Estonia, Greece, India, Island, Italy, Japan, Luxemburg, Peru, Poland, Portugal, Rumania, South Africa, Turkey, Uruguay, U.S.A., Venezuela

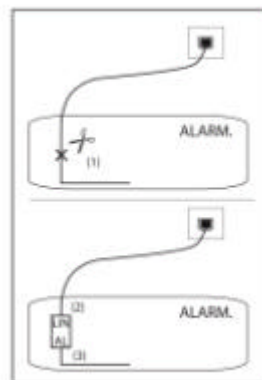
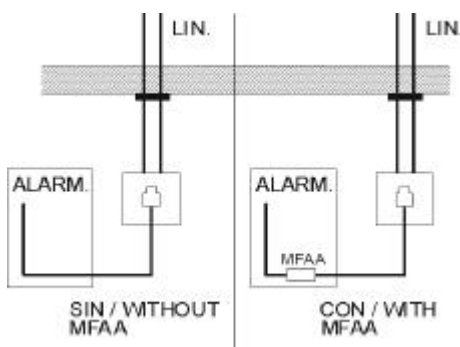


- Ready for new ADSL 2 + technology
- Plastic material V.O. (Fireproof)
- Connector type clamp
- Exclusive design
- Designed according environment regulation ETS300019 part.1-1, class1.2; part1-2, class2.3; part.1-3, class3.2

Technical requirements

Voice specifications		General specifications	
Pass band (P.b.)	0-4 KHz	Resistance in loop	< 50 Ω
Line impedance	600 Ω	Line/ground isolation resistance	> 100 M.Ω
Insertion losses in (B.p.)	< 0,32dB	Isolation resistance line	> 10 M.Ω
Distortion of insert losses in (B.p.)	< 0,5 dB	Line connectors	Type clamp
Return losses to 200Hz : 1MFA - (3MFA)	> 10,2 dB – (>10,2DdB)	Phone connectors	Type clamp
Return losses to 3,5KHz : 1MFA - (3MFA)	> 12 dB – (>10,5 dB)	ADSL data connectors	NO
Return losses to 4,4KHz : 1MFA - (3MFA)	> 14 dB – (>12,5 dB)	Surface mounting	Adhesive tape
ADSL band attenuation (32 KHz – 2,2 MHz)	> 20 dB	Dimensions	(59x27x23) mm
Maximum current (Imax) d.c.	100 mA	Weight	35 gr

Installation and connections



Installation diagram

The microfilter ADSL Alarm must be placed in the line entrance in the alarm equipment. As shown in the diagram.

Installation process

- 1- Get to the line entrance point in the alarm equipment., and cut the line cable.
- 2- Connect the line cable to the microfilter connectors (LIN).
- 3- Connect the other end of the cable to the microfilter connector (ALARM).

It contains

- Microfilter MFAA001
- Adhesive tape
- Installation instructions